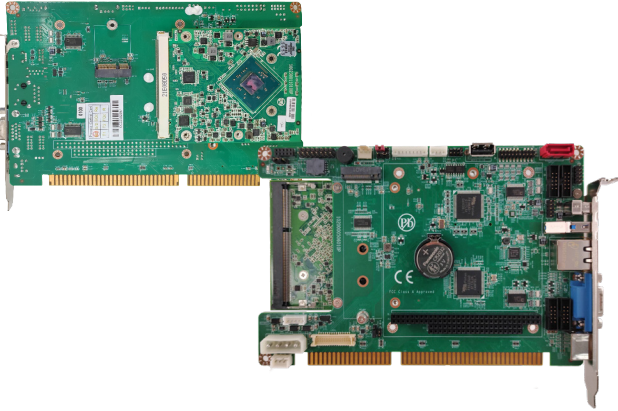


# EmCORE-i230R

Half size ISA SBC



## Features

- Fanless design
- Soldered onboard Intel Celeron processor N2930 1.83Ghz
- Single Gigabit Ethernet Port
- Analog RGB port
- Dual Channels 24-bit LVDS
- PC/104 ISA interface
- **Extended Operating Temp.: -20 ~ 70°C**

## System

CPU	Soldered onboard Intel Celeron Processor N2930 1.83Ghz
Memory	1 x DDR3L SO-DIMM socket, supporting up to 8GB 1066/1333MHZ/s SDRAM
BIOS	Insyde BIOS

## I/O

Super IO Chipset	Fintek F81866D-I
Serial Port	4 x COM Ports - 3 x RS-232 ports - 1 x RS-232/422/485 selectable port
Parallel Port	1 x LPT port, SPP/EPP/ECP mode selectable
Digital I/O	8-bit programmable Digital Input/ Output
USB Ports	- 4 x USB 2.0 ports (One port with Type A connector on bracket) - 1 x USB 2.0/3.0 port with Type A connector on bracket
Expansion	1 x NGFF M.2 E-key socket support PCIe1 lane, USB 2.0 port 1 x NGFF M.2 M-key socket support PCIe1 lane, SATA port 1 x PC-104 slot, ISA interface
Storage	- 1 x SATA connector - 1 x NGFF M.2 M-key socket to support SATA depending on SSD module
Ethernet	1 x GbE by Qseven™ CPU Module
Audio	HD link connector

## Display

Graphic Interface	1 x VGA connector on bracket LCD: 1 x Dual Channels 24-bit LVDS connector
-------------------	--

## OS Support

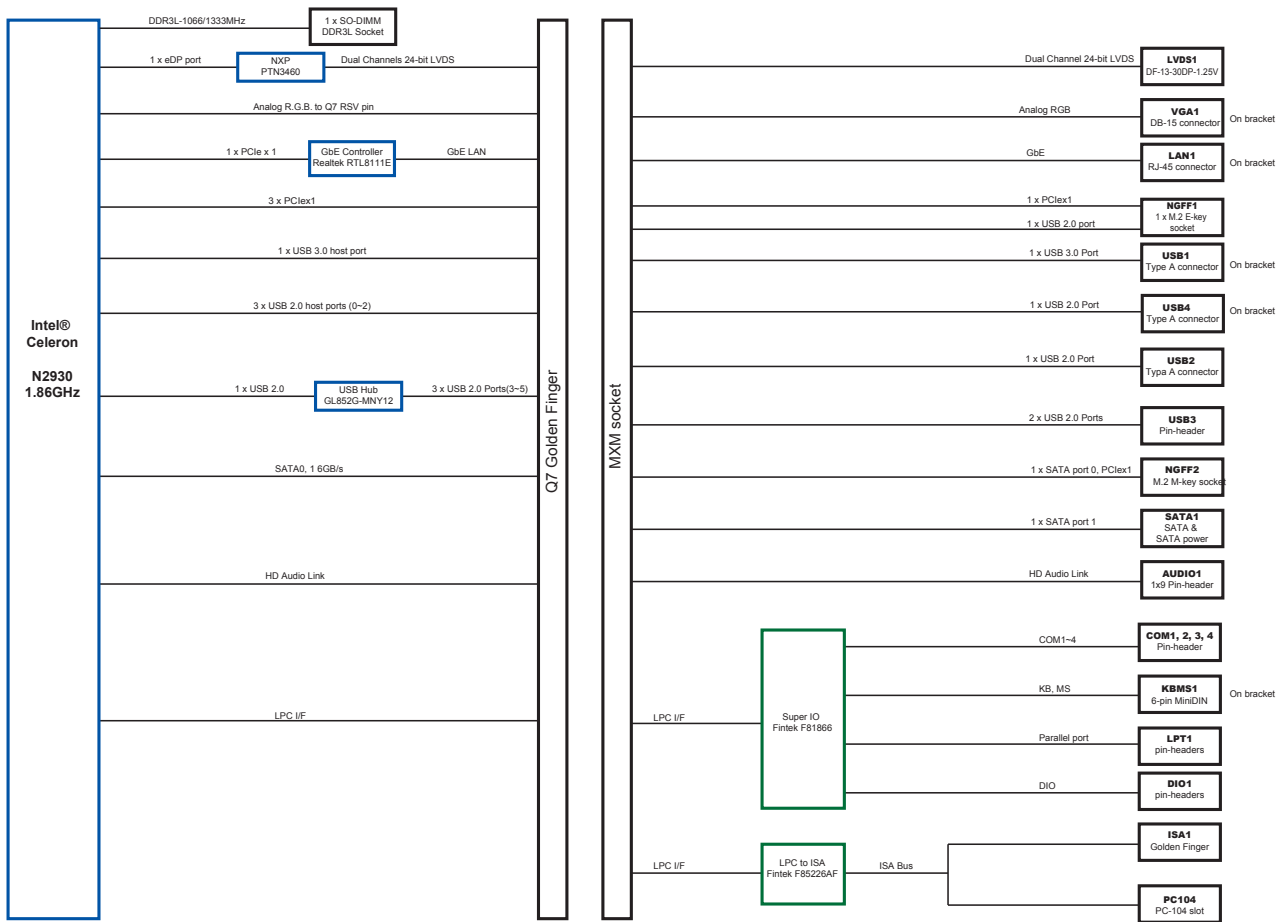
Windows 10 IoT  
Ubuntu

## Mechanical & Environmental

Power Requirement	+/-12VDC, +/-5VDC from backplane
Operating Temp.	-20 ~ 70°C (-4 ~ 158°F)
Operating Humidity	10 ~ 95% @ 70°C (non-condensing)
Dimensions (L x W)	185 x 122 mm (7.3" x 4.8")

## Dimensions

## Block Diagram



## Ordering Information

EmCORE-i230R	EmQ-i230B-N2930 + PBQ-2000 Half size ISA SBC Form Factor Q7 carrier board
FCDB-1111	Realtek ALC888 HD Audio daughterboard
FCDB-1110	Realtek ALC655 AC97 Audio daughterboard

### \* Note:

Due to the limitation of the Intel Bay Trail processors, EmQ-i230B does not support following features:

- Bus Master Cycles
- DMA
- LPC Memory Mapped Transactions
- IRQ0, IRQ1, IRQ2, IRQ8, IRQ9, IRQ13, IRQ14
- ISA Enable (IE) bit
- PnP