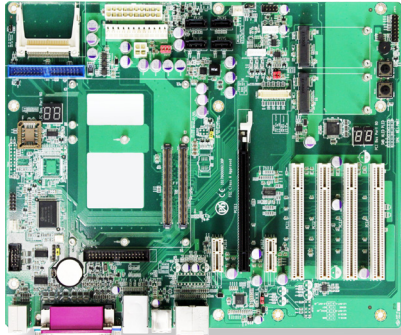


PBE-1700

COM Express® Type 2 Evaluation Carrier Board in ATX Form Factor



Features

- Integrated Gigabit Ethernet
- **COM Express® Type 2 Evaluation Board**
- Analog RGB, LVDS and TV-out supported
- **Wide Range Operating Temp.: -40 ~ 85°C**

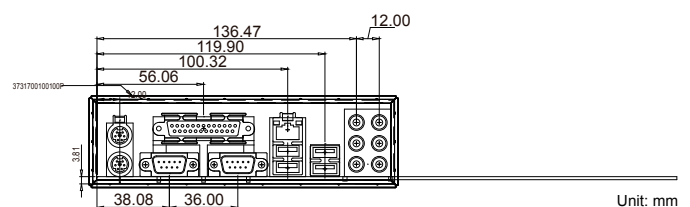
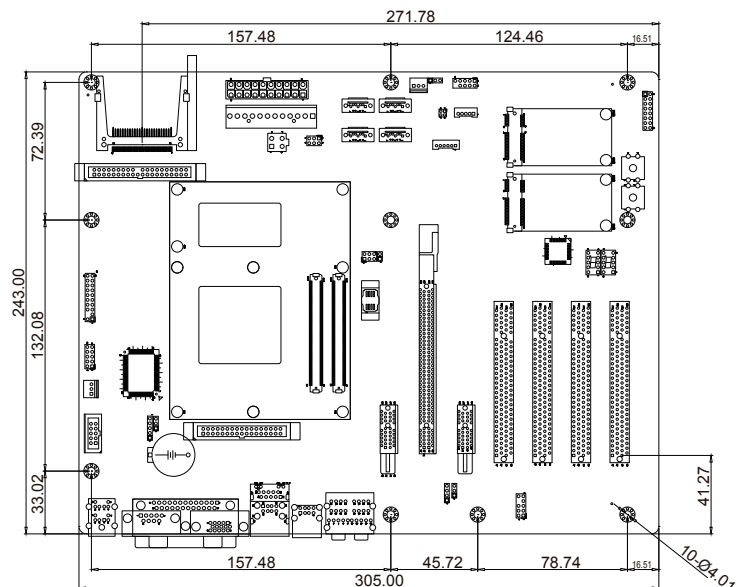
I/O

Super IO Chipset	Winbond W83627HG or Fintek F71869
Serial Port	2 x RS-232
Parallel Port	SPP/EPP/ECP mode
Keyboard & Mouse	Standard PS/2 keyboard/ mouse connectors
USB 2.0	6 x USB 2.0 ports
Expansion	2 x PCIe x1 slots 1 x ExpressCard socket
Storage	4 x SATA connectors 1 x Ultra ATA connector, 1 x FDD connector, 1 x CF II socket
Ethernet Chipset	1 x by CPU module
Digital I/O	8-bit Programmable
Audio	Realtek ALC888 7.1 Channel HD Audio CODEC, Mic-in/Line-in/Line-out
Display	
Graphic Interface	Analog RGB/ DVI: 1 x VGA connector LCD: 1 x LVDS connector
OS Support	
Depends on CPU Module	

Mechanical & Environmental

Power Requirement	AT or ATX power connector
Power Consumption	1.11A@12V with EmETXe-i2503 (Typical)
Operating Temp.	-40 ~ 85°C (-40 ~ 185°F)
Operating Humidity	10 ~ 95% @ 85°C (non-condensing)
Dimensions (L x W)	305 x 244 mm (12" x 9.6")

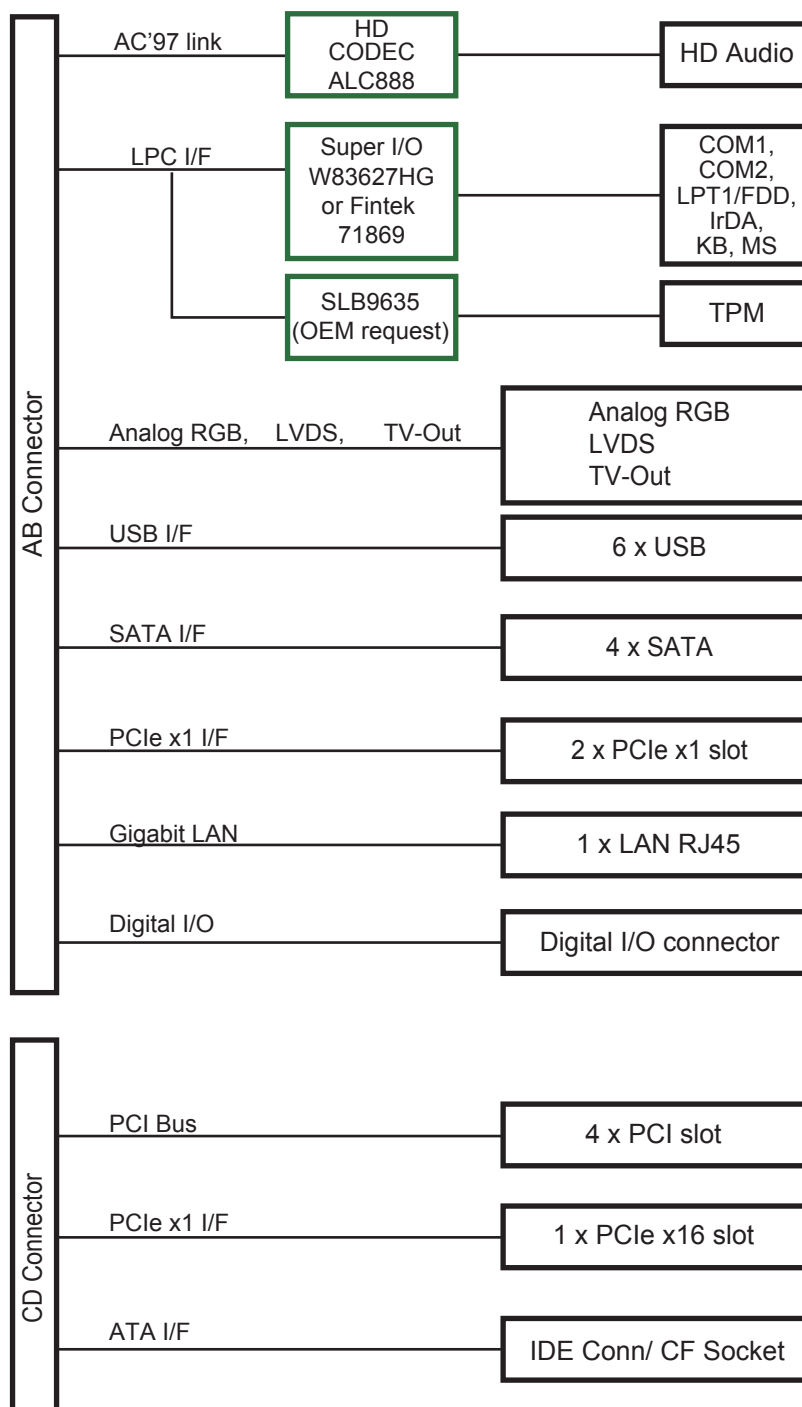
Dimensions



Unit: mm



Block Diagram



Ordering Information

PBE-1700-W R1.3	COM Express® Type 2 evaluation carrier board with Super IO W83627 in ATX form factor
PBE-1700-F R1.3	COM Express® Type 2 evaluation carrier board with Super IO F71869ED in ATX form factor

Optional Accessories

CBK-04-1700-00	Cable kit 1 x SATA cable 1 x Serial port cable 1 x FDD cable 1 x IDE cable
----------------	--