

RP-101P

10.1" ARM-Based Android Price Checker



Features

- Rockchip PX30, ARMv8, Quad-core Cortex-A35, 64-bit low-power processor, up to 1.5GHz
- Soldered onboard 2GB DDR4, optional 4GB
- A variety of optional peripherals for Retail POS application and expansion -NFC, 2D Scanner, Camera, PoE PD
- Support Android 9.0

System

CPU	ARMv8, Quad Cortex-A35, 1.5GHz
Memory	DDR4, 2GB, soldered onboard; Optional 4GB
Storage	16GB eMMC Flash Soldered onboard ; Optional 32/64GB

Wireless

WLAN	1 x IEEE 802.11 a/b/g/n/ac
Bluetooth	BLE 4.2/BLE
Audio	Supports 1 x 1W built-in mono speaker output Supports 1 x built-microphone input

LCD Display

Size/Type	10.1" TFT LCD
Resolution	1280 x 800
Brightness (cd/m ²)	300cd/m ²
Contrast Ratio	500:1 (Typ.)
View Angle(A/B/R/L)	85°/85°/85°/85°typ.

Touch

Type	5-point projected capacitive multi-touch
------	--

Optional Peripherals

Camera	8M Pixel AF Camera
PoE	802.3af, 12W
NFC	Supports: PCD Reader/Writer for ISO/IEC 14443 Type A and MIFARE Classic; PCD Reader/Writer for Jewel/Topaz PCD Reader/Writer for FeliCa PCD Reader/Writer for ISO/IEC 14443B VCD Reader/Writer for ISO/IEC 15693/ICODE

2D Scanner (Optional)

Depth of Field	EAN13(13mil):55mm~185mm Code 39 (5mil):55mm~100mm PDF 417(6.67mil): 40mm~130mm Data Matrix(10mil):40mm~135mm QR Code(15mil):40mm~160mm
FOV	H:36° / V: 23°

2D Decode	PDF 417, Data Matrix (ECC200, ECC000,050, 080,100, 140), QR Code Code 128, EAN-13, EAN-8, Code 39, UPC-A, UPC-E, Codabar interleaved 2 of 5, ITF-6, ITF-14, ISBN, Code 93, UCC/EAN-128, GS1 Databar, Matrix 2 of 5, Code 11, Industrial 2 of 5, Standard 2 of 5, Plessey, MSI-Plessey
1D Decode	

I/O

Serial Port	1 x RS232, DB-9 interface 1 x RS232 by 2.5mm wafer
USB Port	2 x USB 2.0 HS by Type A; 2 x USB 2.0 HS by Pin header 1 x Micro USB 2.0 (Device)
LAN Port	1 x RJ-45 Ethernet, 10/100Mbps
SD Card	1 x microSDHC/microSDXC/micro SD (Max. 128GB) card socket
Power	1x Toggle Switch, ON/OFF switchable

Environmental

Operating Temp.	0 ~ 50°C
Storage Temp.	-20 ~ 70°C
Operating Humidity	5~90%RH@50°C (non-condensing)

Qualification

Certification	CE, FCC
---------------	---------

Power Requirement

Power Input	DC input,12V
-------------	--------------

Mechanical

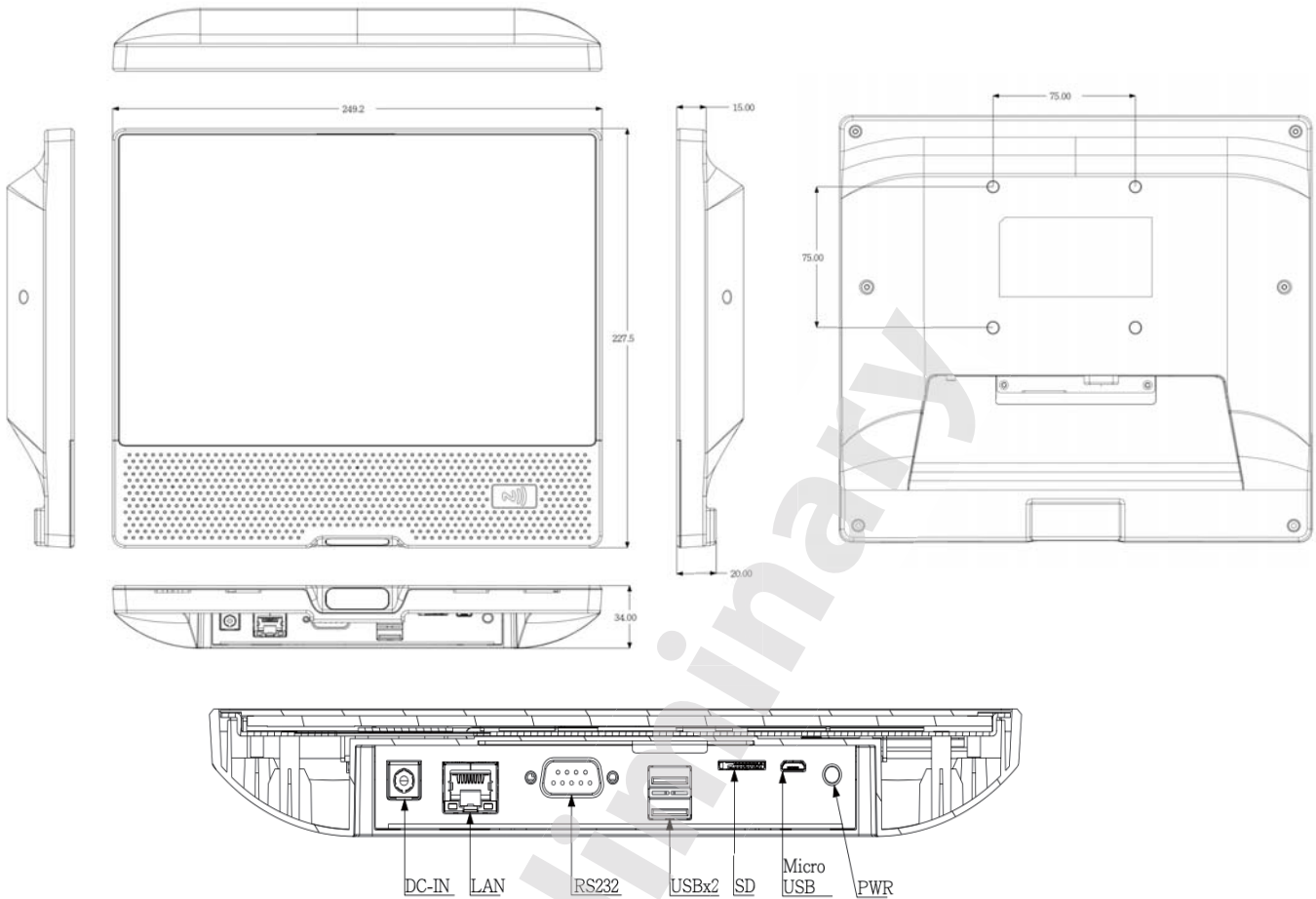
Dimensions (W x D x H)	227.5 x 249.2 x 34mm
VESA Mount	75 x 75mm

OS Support

Android 9.0; Other OS BTO service, please contact us for details



Dimension(Unit:mm):



Ordering Information

RP-101P 1 x 10.1 inch Android Price Checker, 1 x 12V/2A Power Adapter, US Plug

Optional Peripherals

Camera	1 x 8M Pixel AF Camera
NFC	1 x NFC module
PoE	1 x PoE PD, 802.3af, 12W
Barcode Scanner	1 x 1D/2D Scanner Module